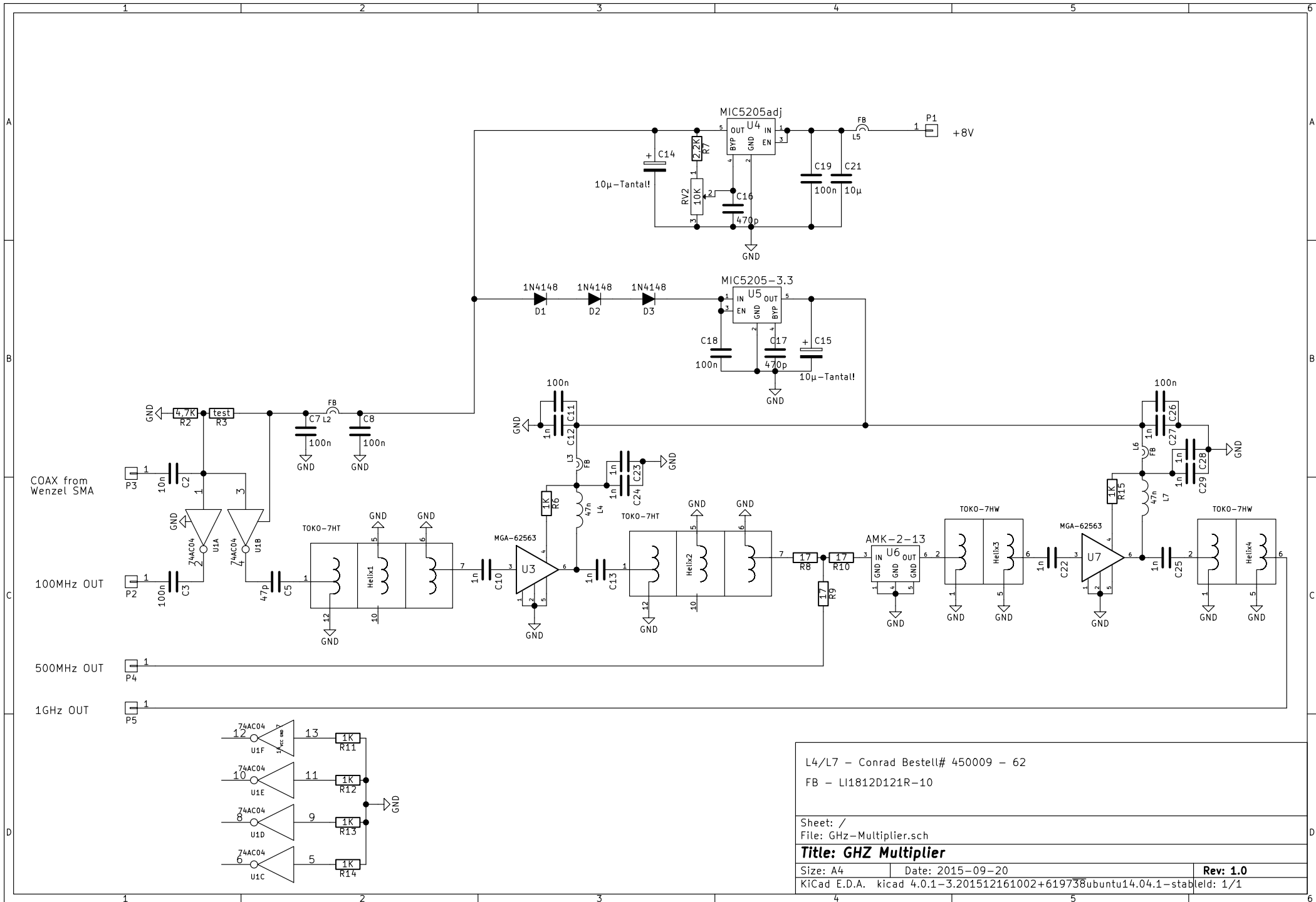


FB - LI1812D121R-10	
Sheet: /	
File: WenzelBase.sch	
Title: Wenzel Oscillator	
Size: A4	Date: 2015-09-20
KiCad E.D.A. kicad 0.201510140731+626730ubuntu14.04.1-product	Rev: 1.0
	Id: 1/1



L4/L7 - Conrad Bestell# 450009 - 62
 FB - LI1812D121R-10

Sheet: /
 File: GHz-Multiplier.sch

Title: GHz Multiplier

Size: A4	Date: 2015-09-20	Rev: 1.0
KiCad E.D.A. kicad 4.0.1-3.201512161002+619738ubuntu14.04.1-stableId: 1/1		